

# thermox

**PLUS** *Made in Europe*

FI

ASENNUSOHJE

GB

INSTALLATION INSTRUCTION  
SECTIONAL GARAGE DOOR

SE

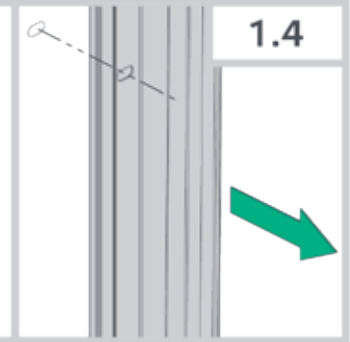
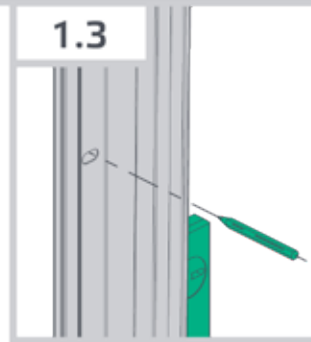
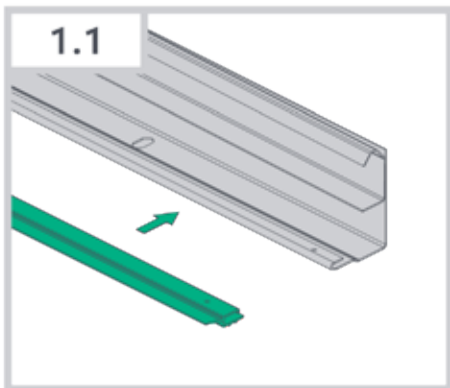
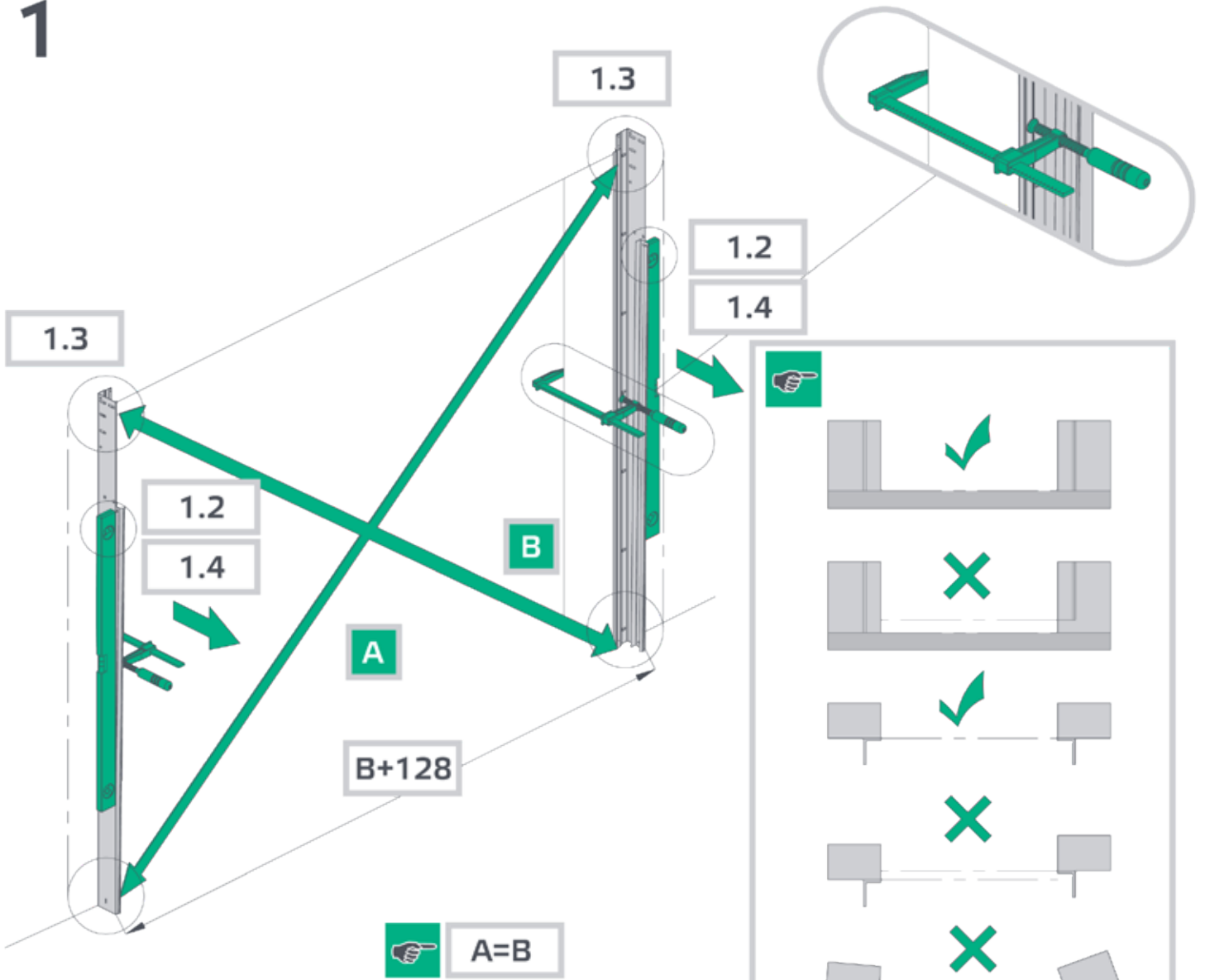
MONTAGE INSTRUKTION  
GARAGE SEGMENTPORTAR



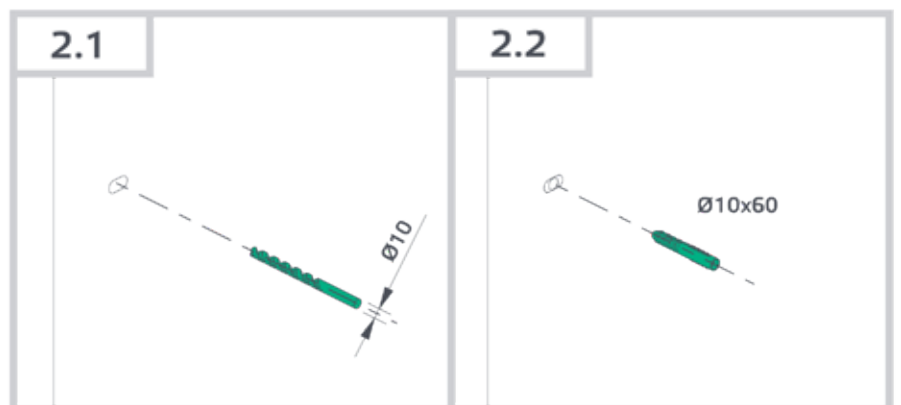
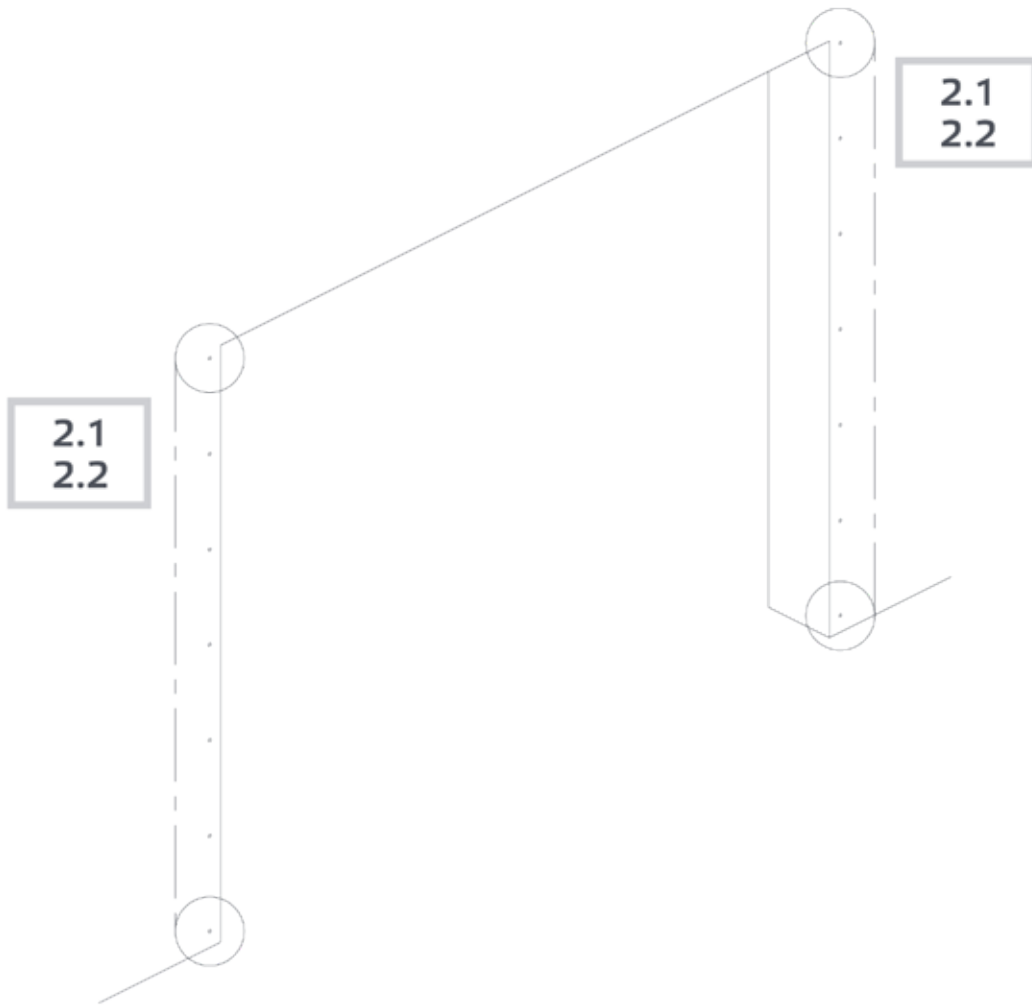
[www.smartia.fi](http://www.smartia.fi)

[www.smartiaremontit.fi](http://www.smartiaremontit.fi)

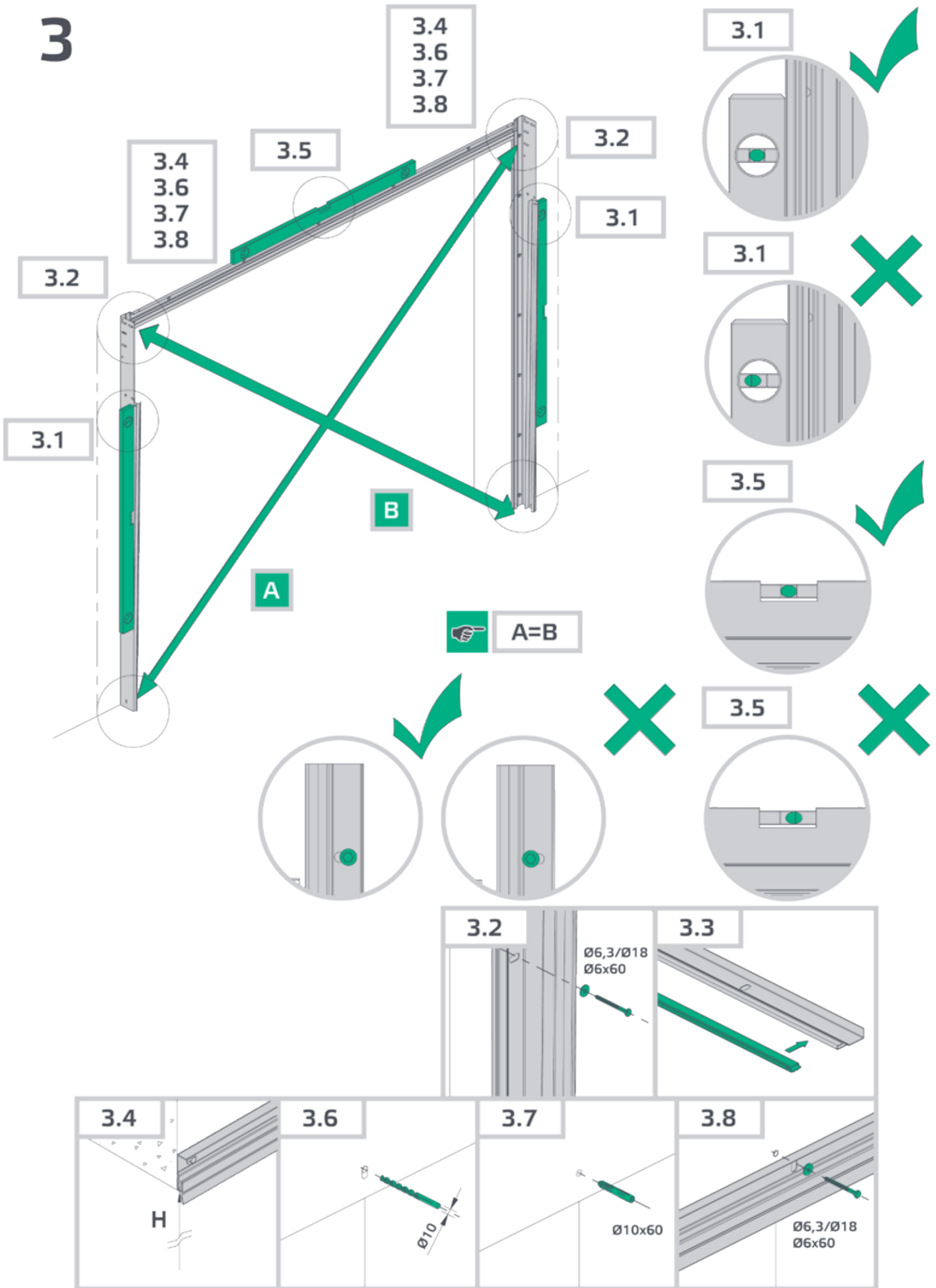
# 1



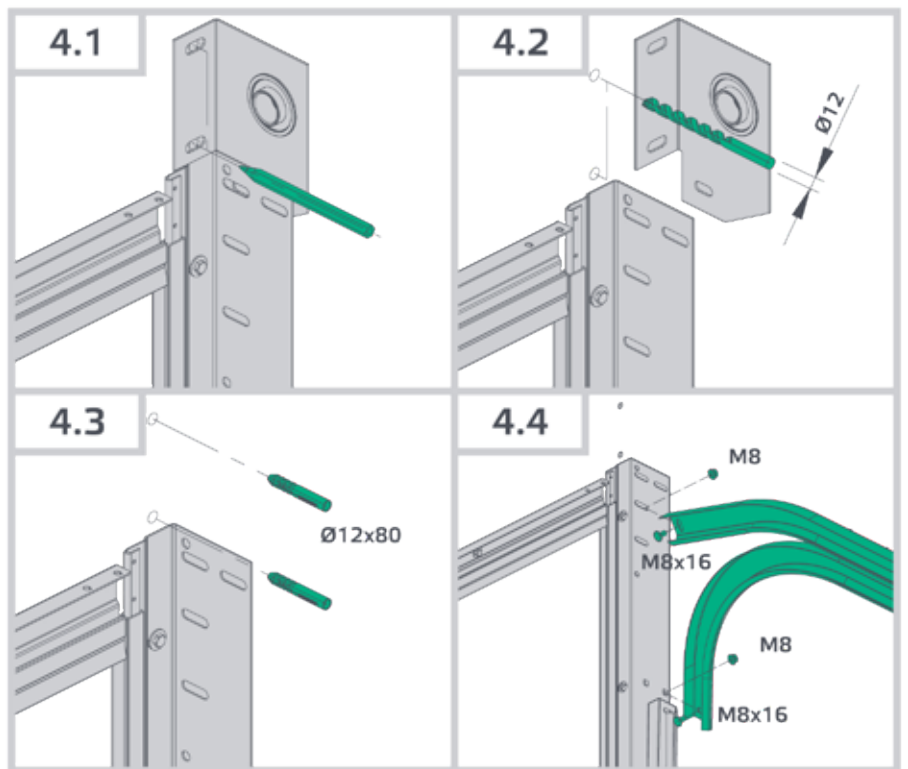
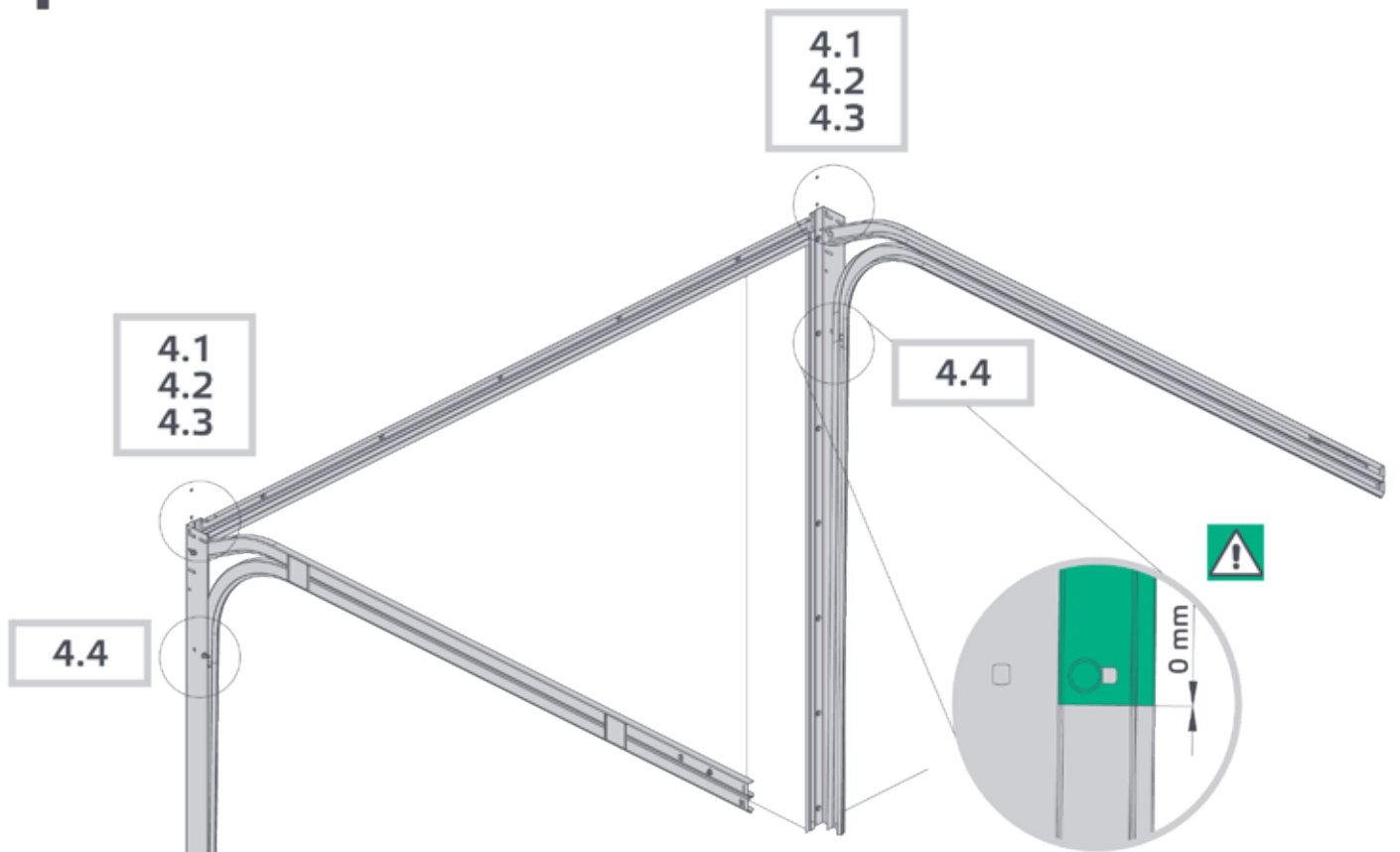
# 2



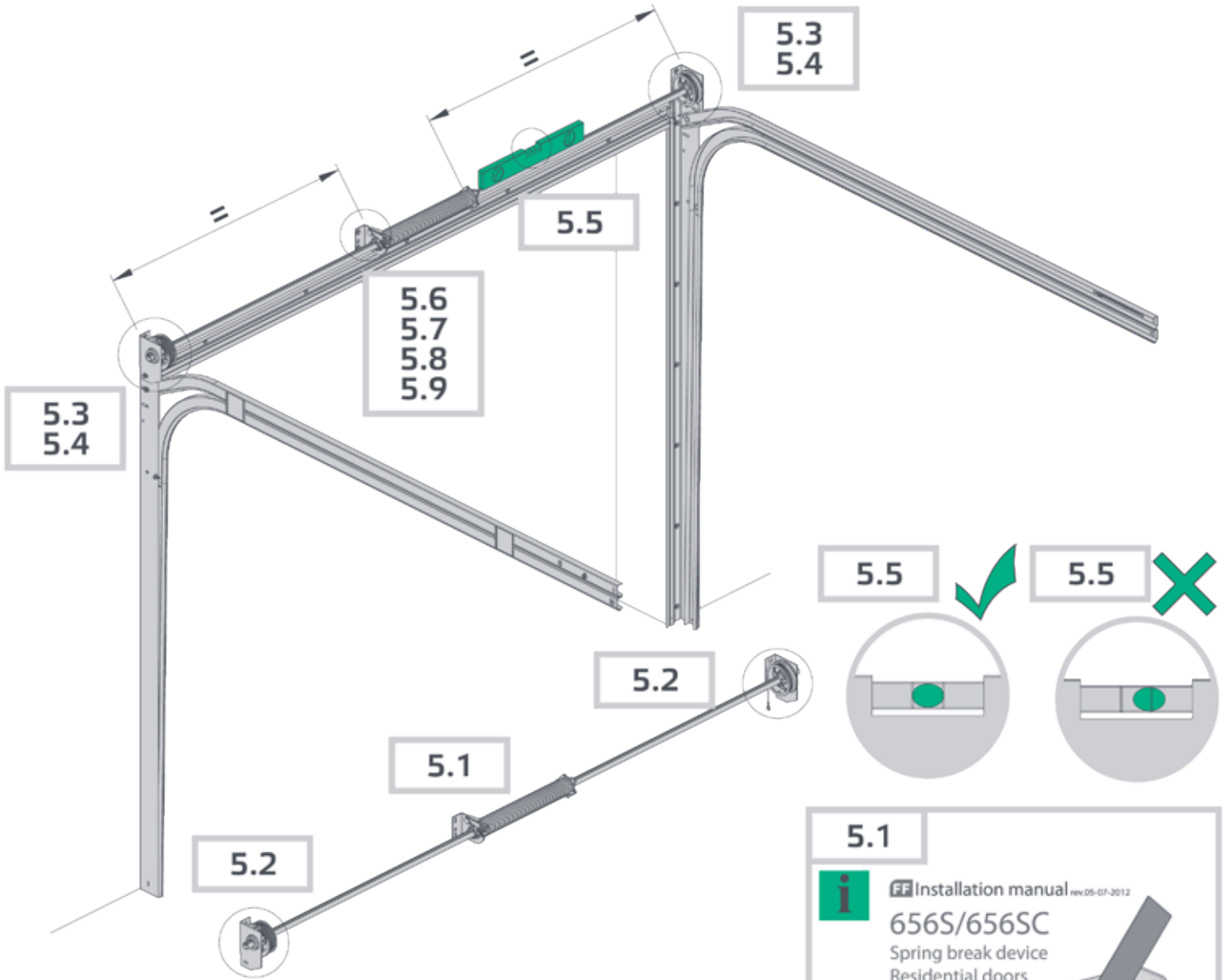
# 3



# 4



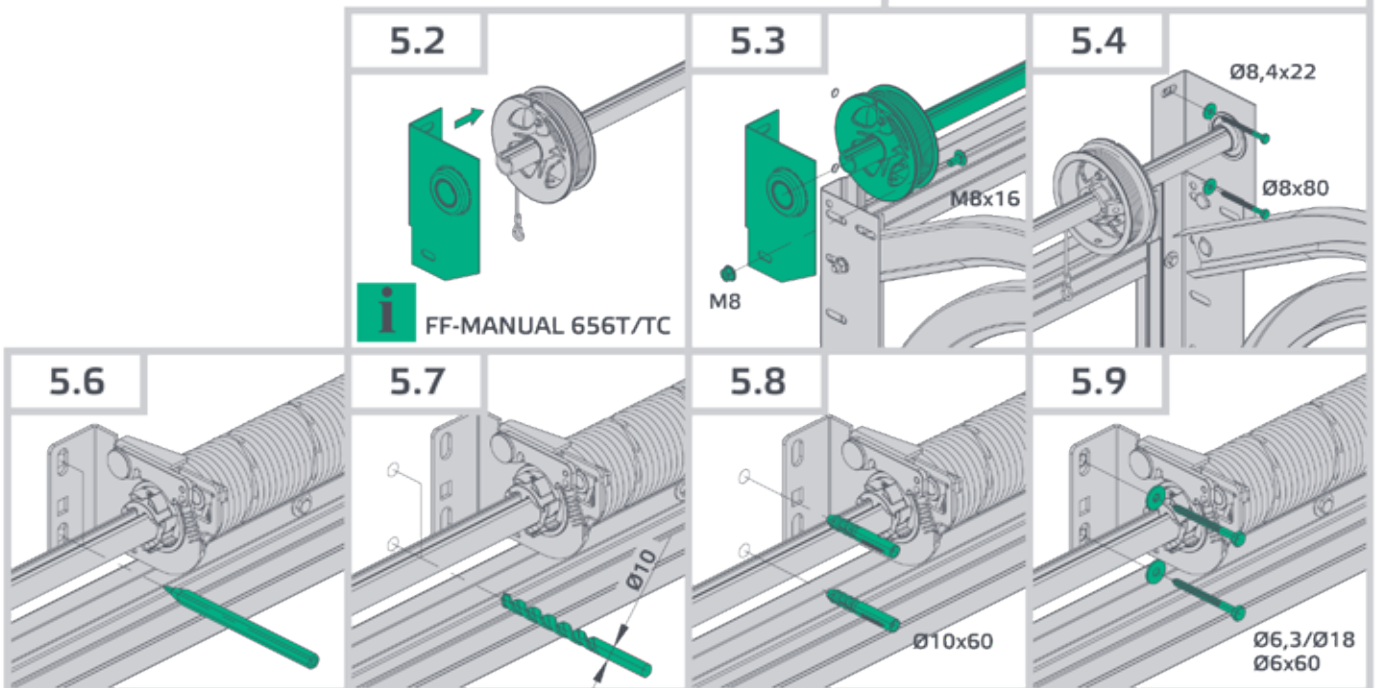
# 5



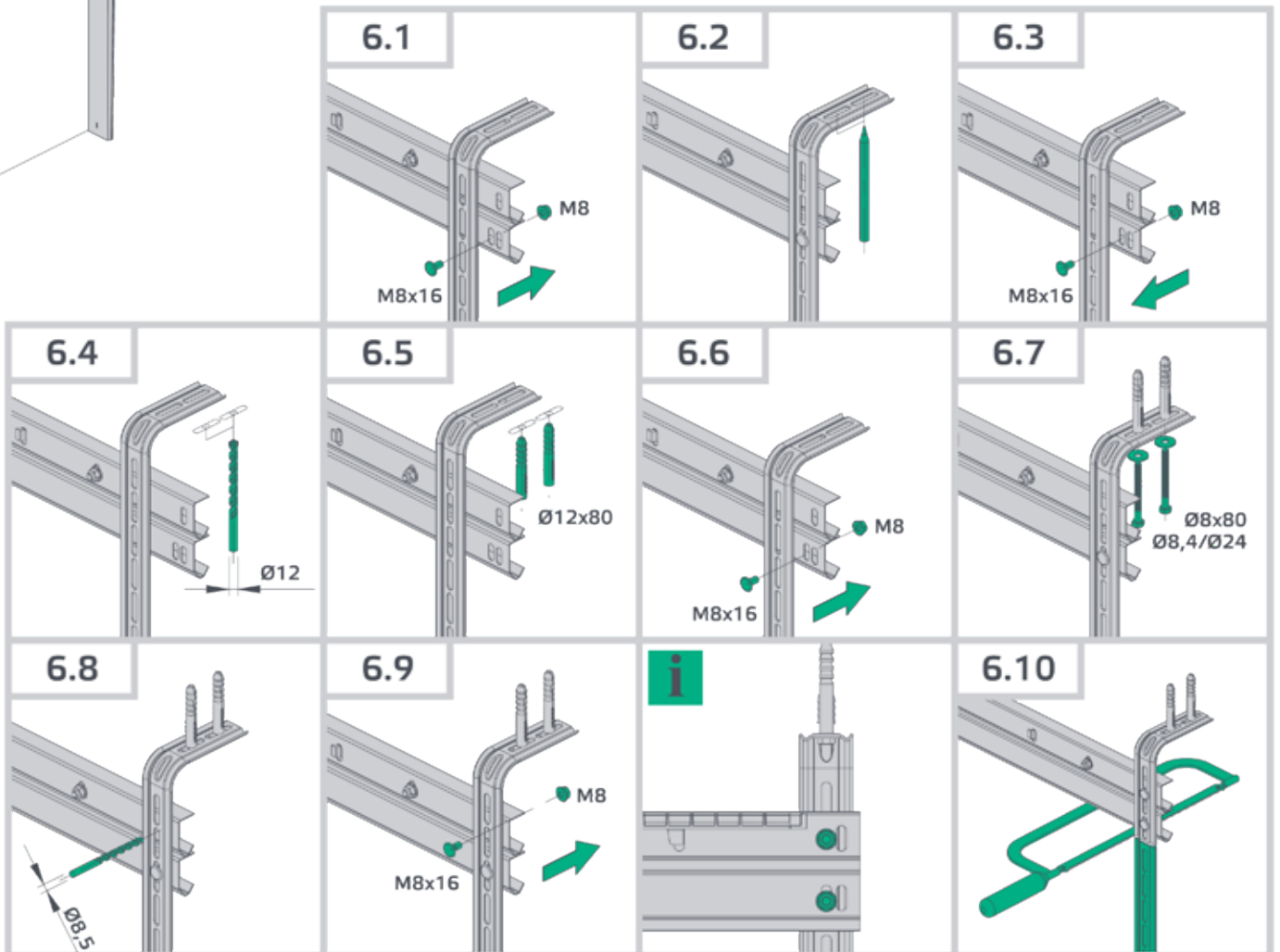
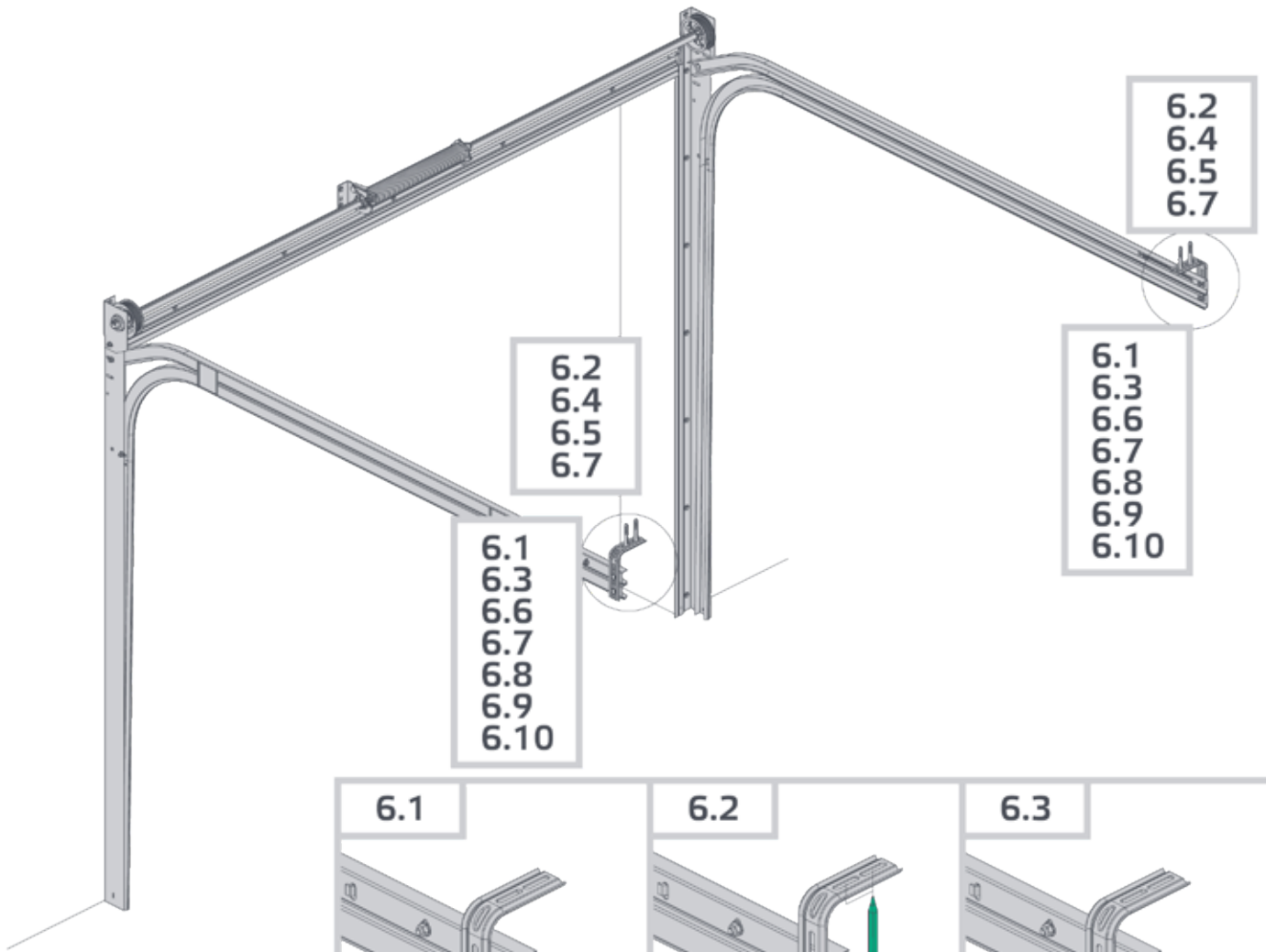
**5.1**

**i** FF Installation manual rev.05-07-2012  
**656S/656SC**  
 Spring break device  
 Residential doors  
 for 1" key way shaft

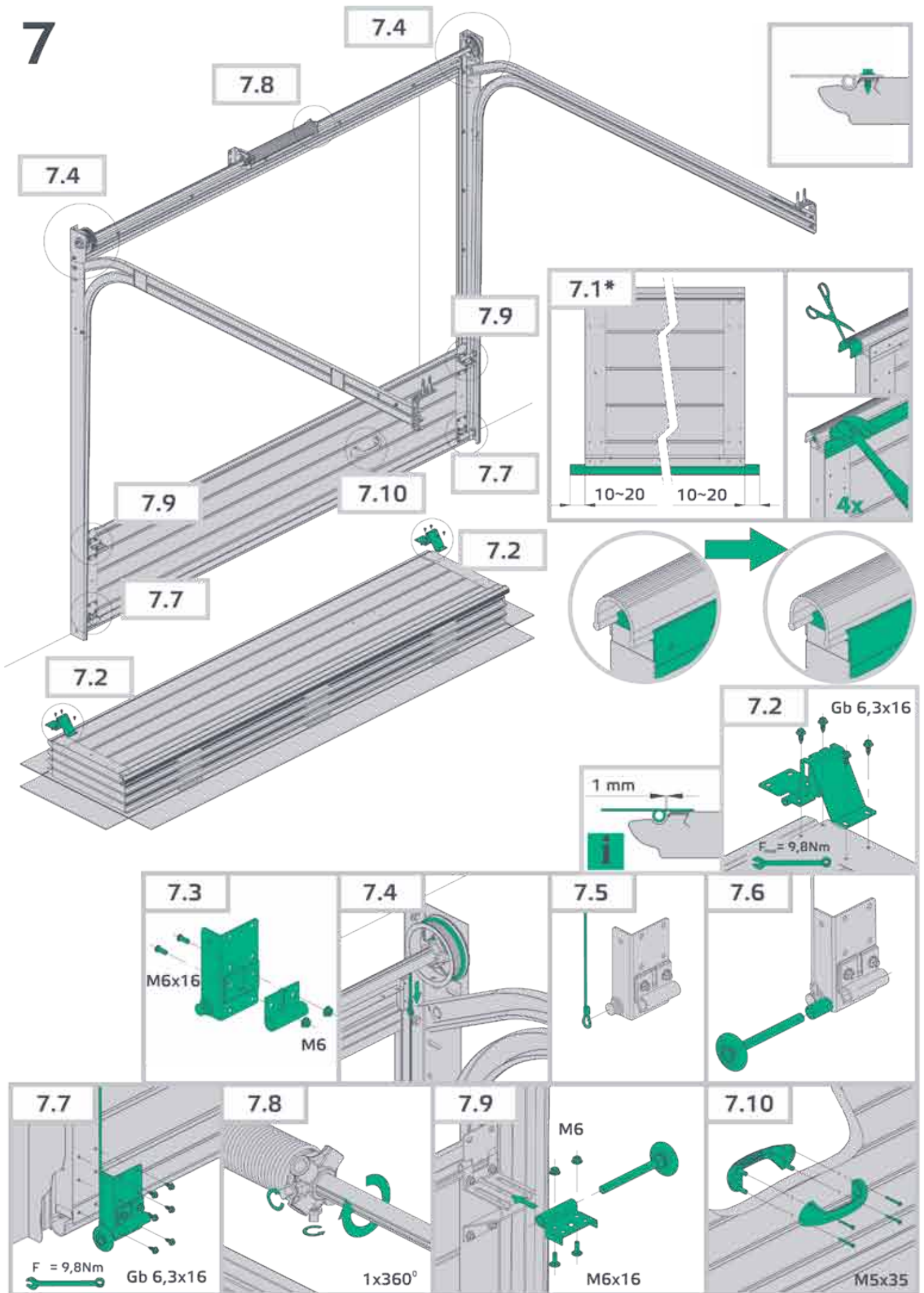
705GB/702GBL



# 6

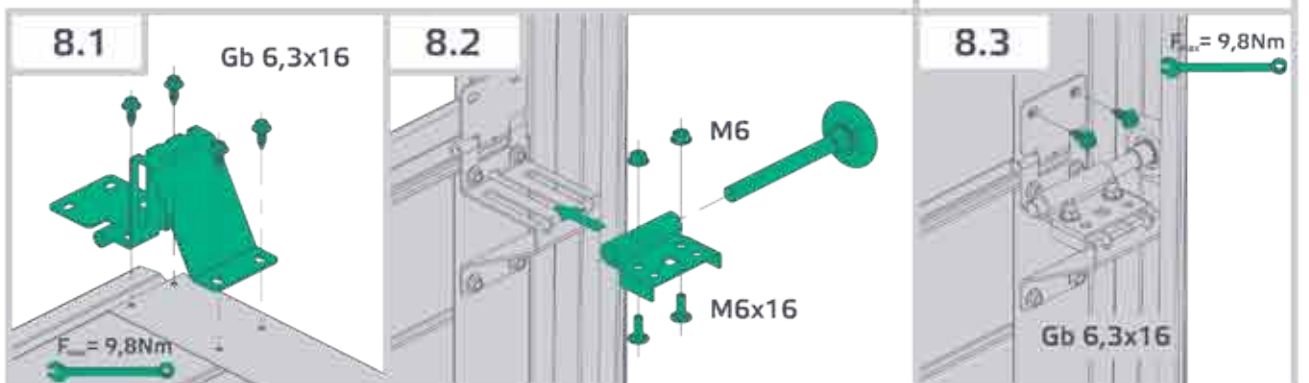
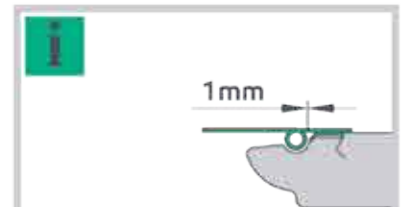
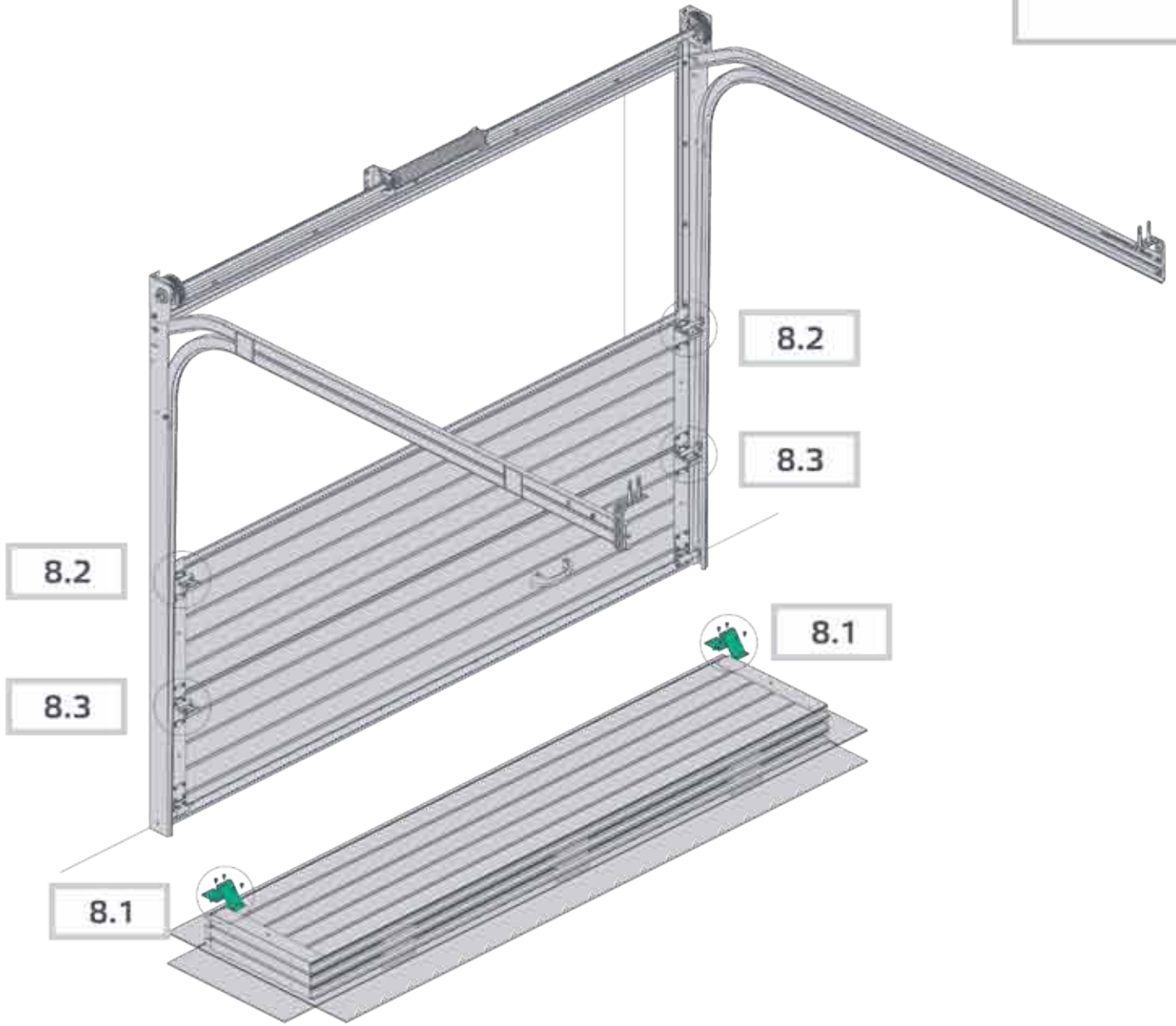


# 7

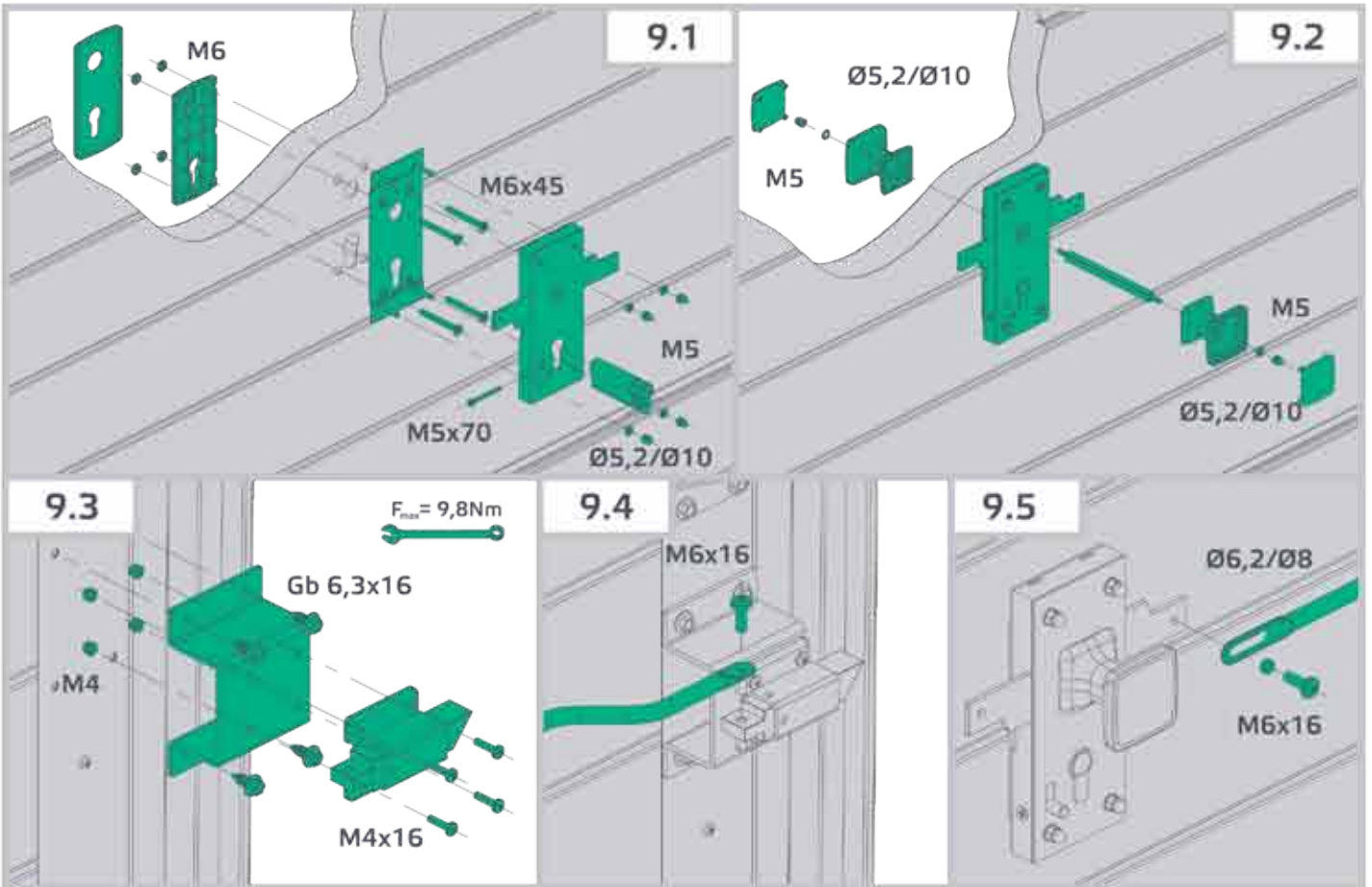
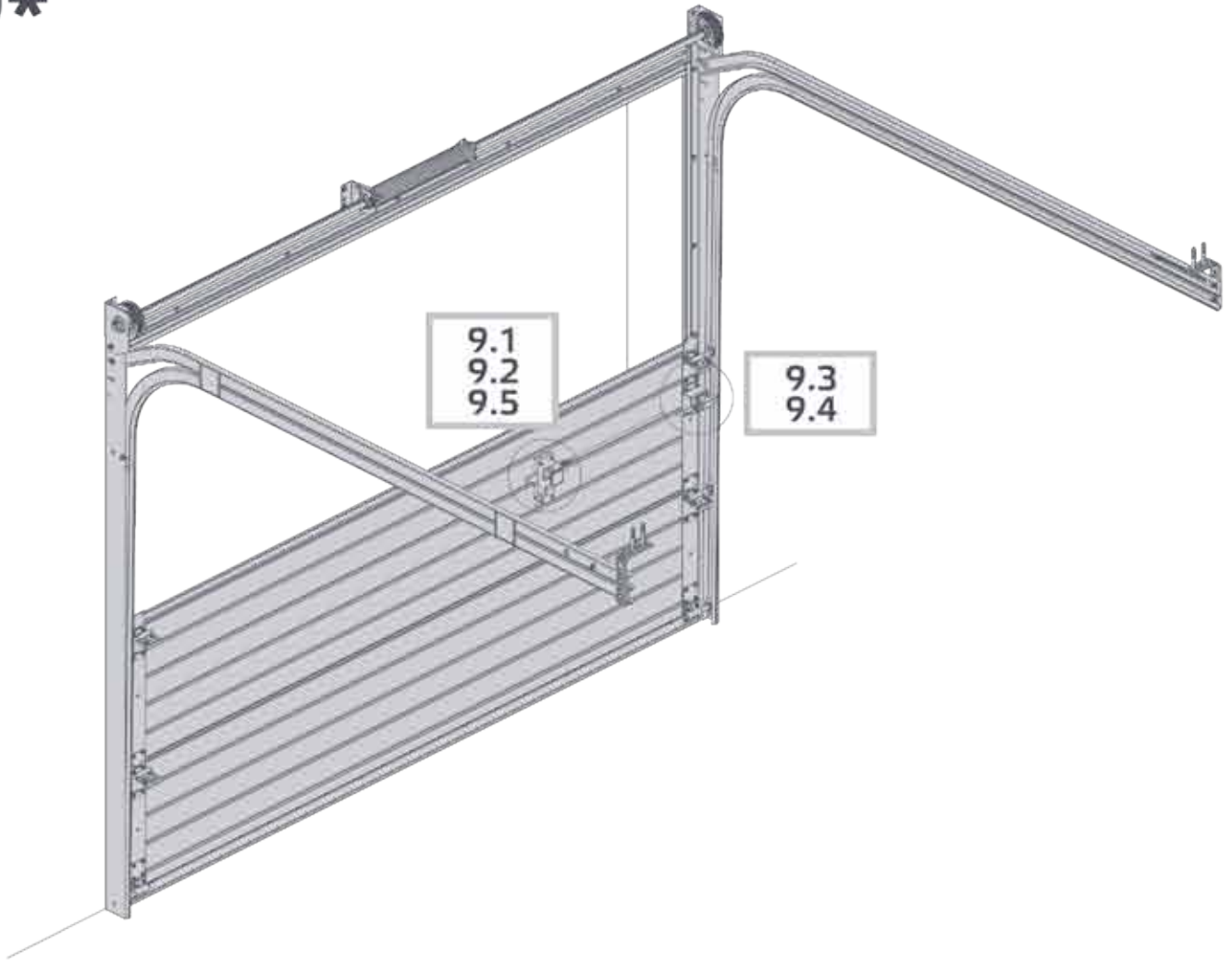




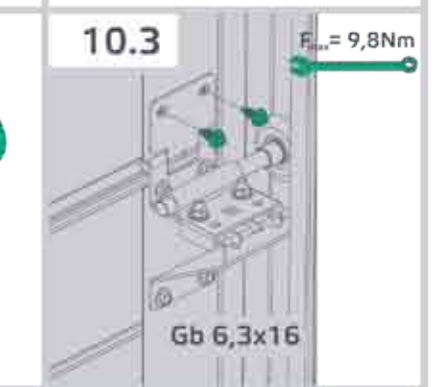
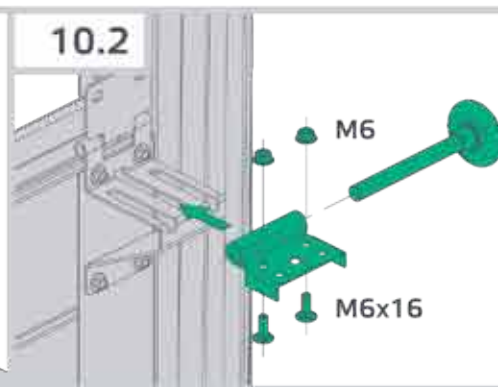
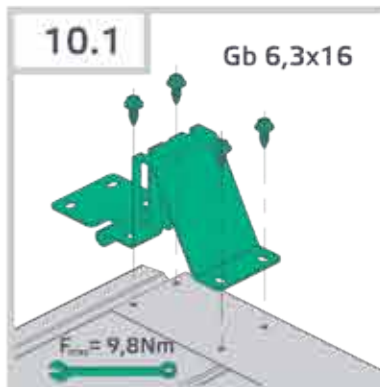
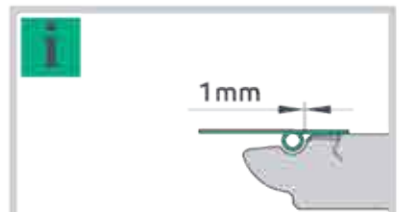
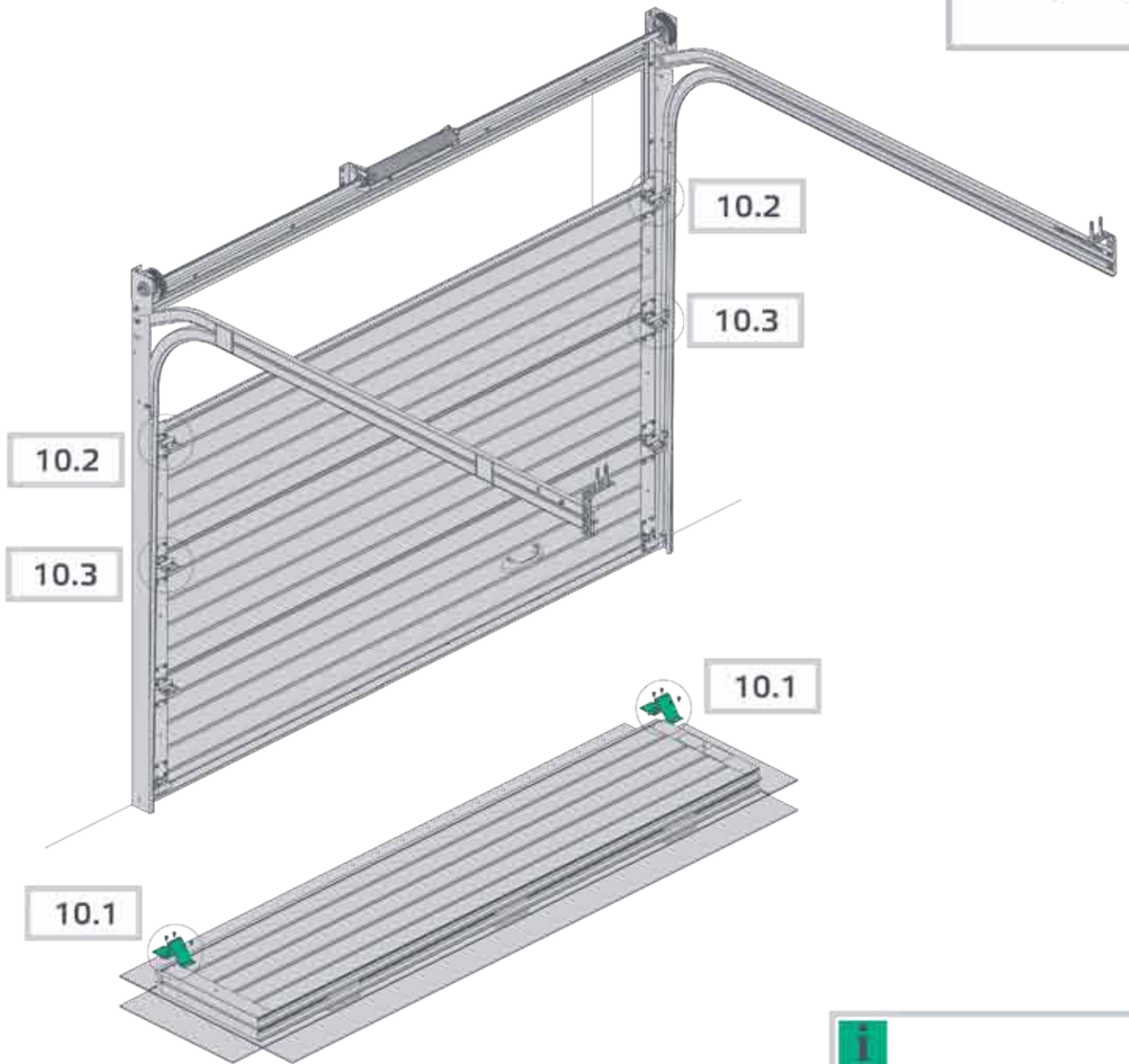
# 8



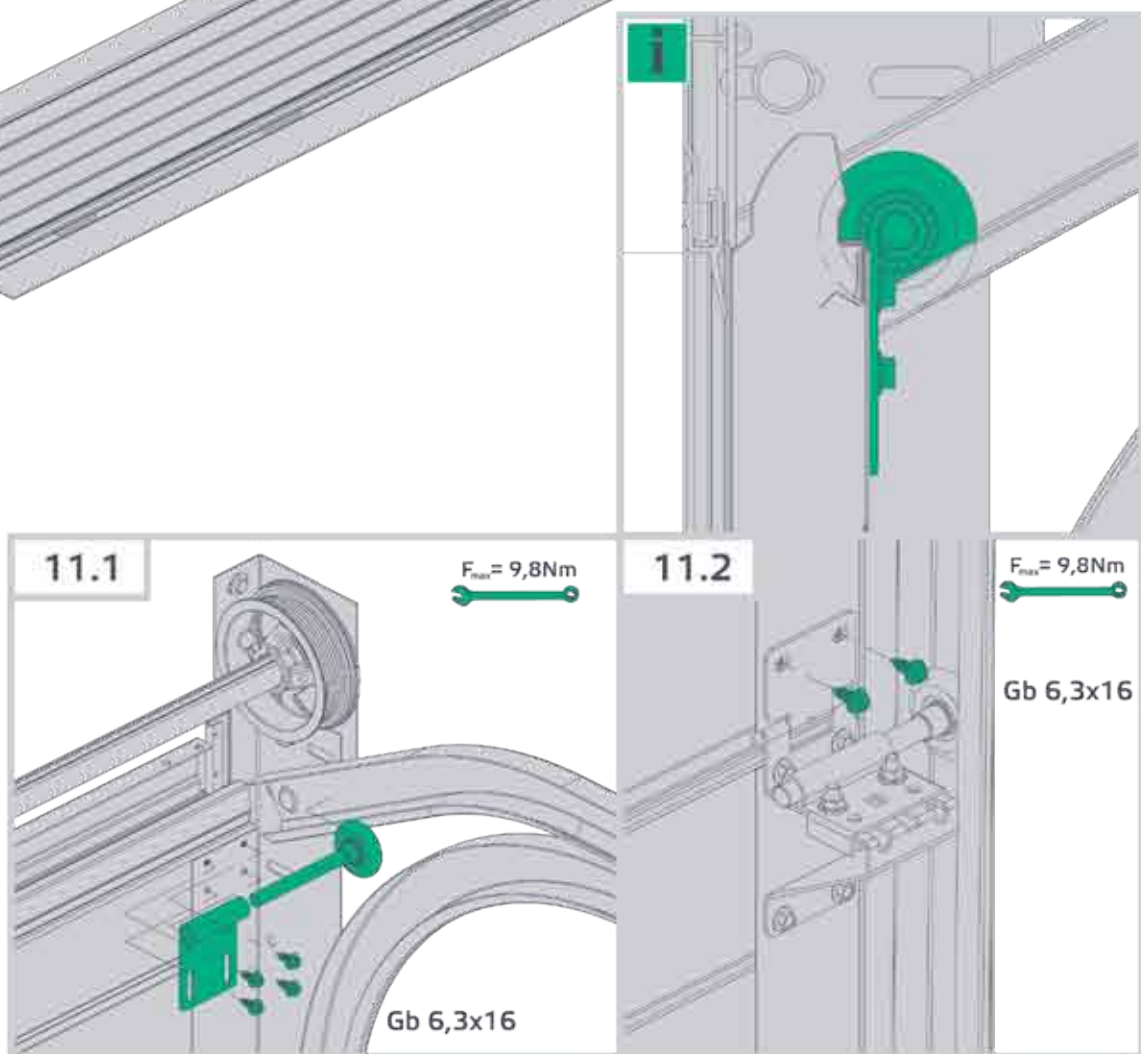
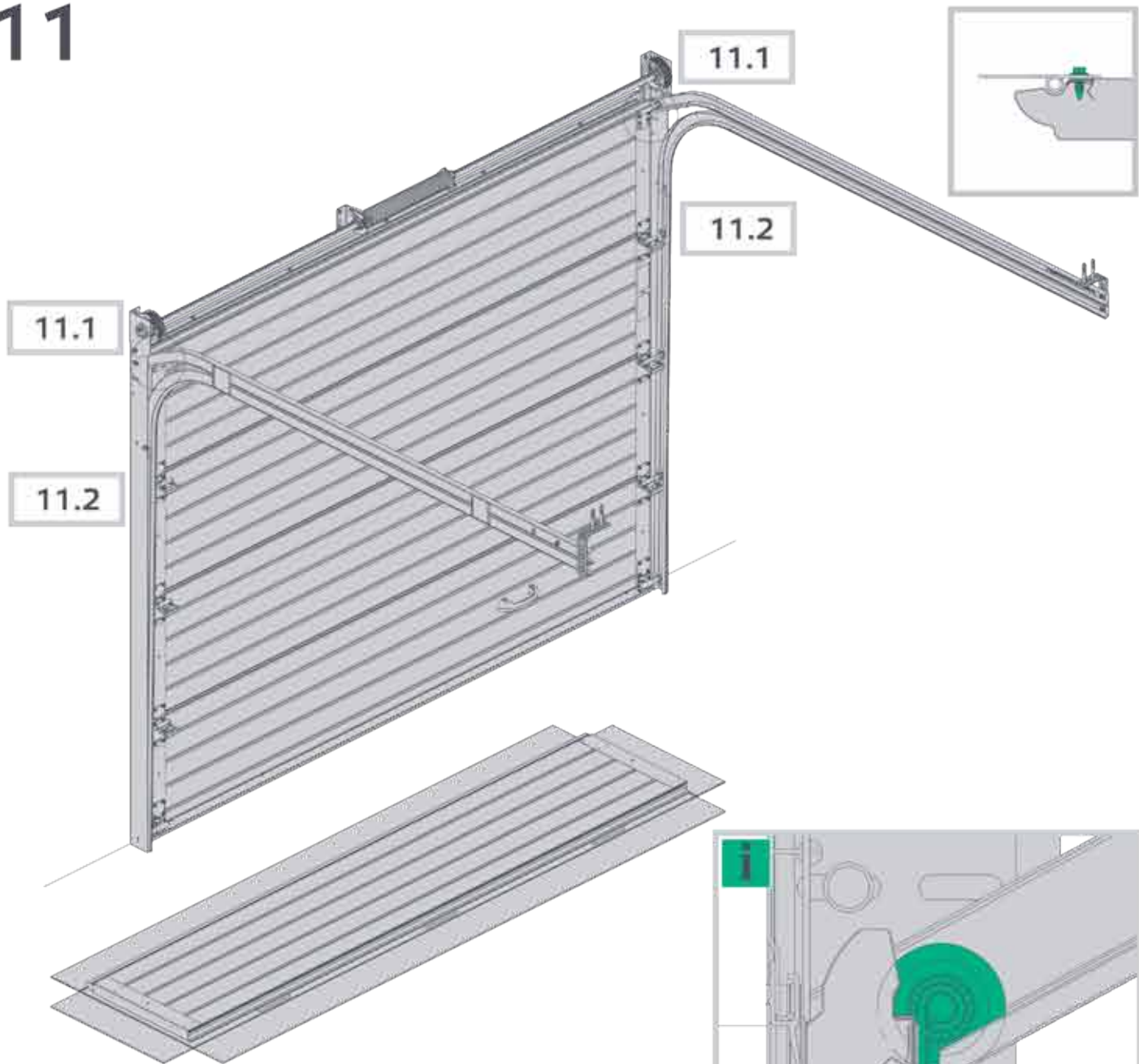
# 9\*



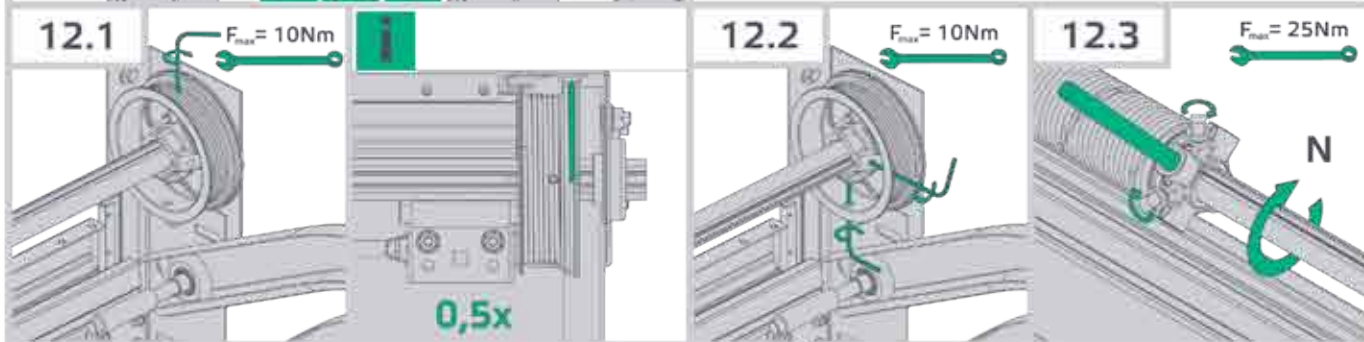
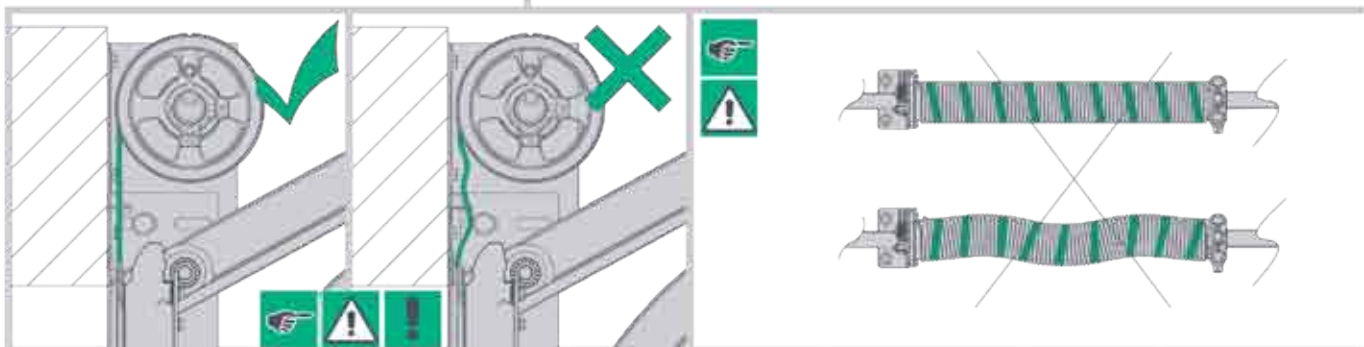
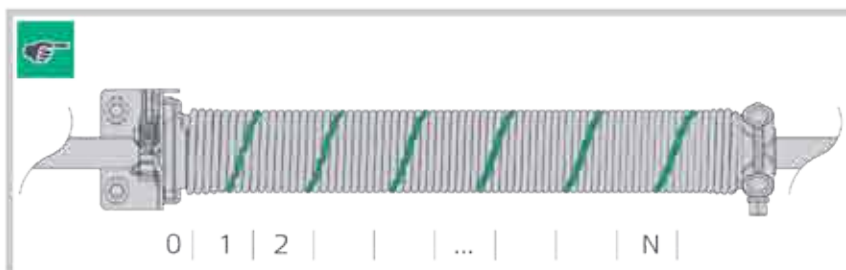
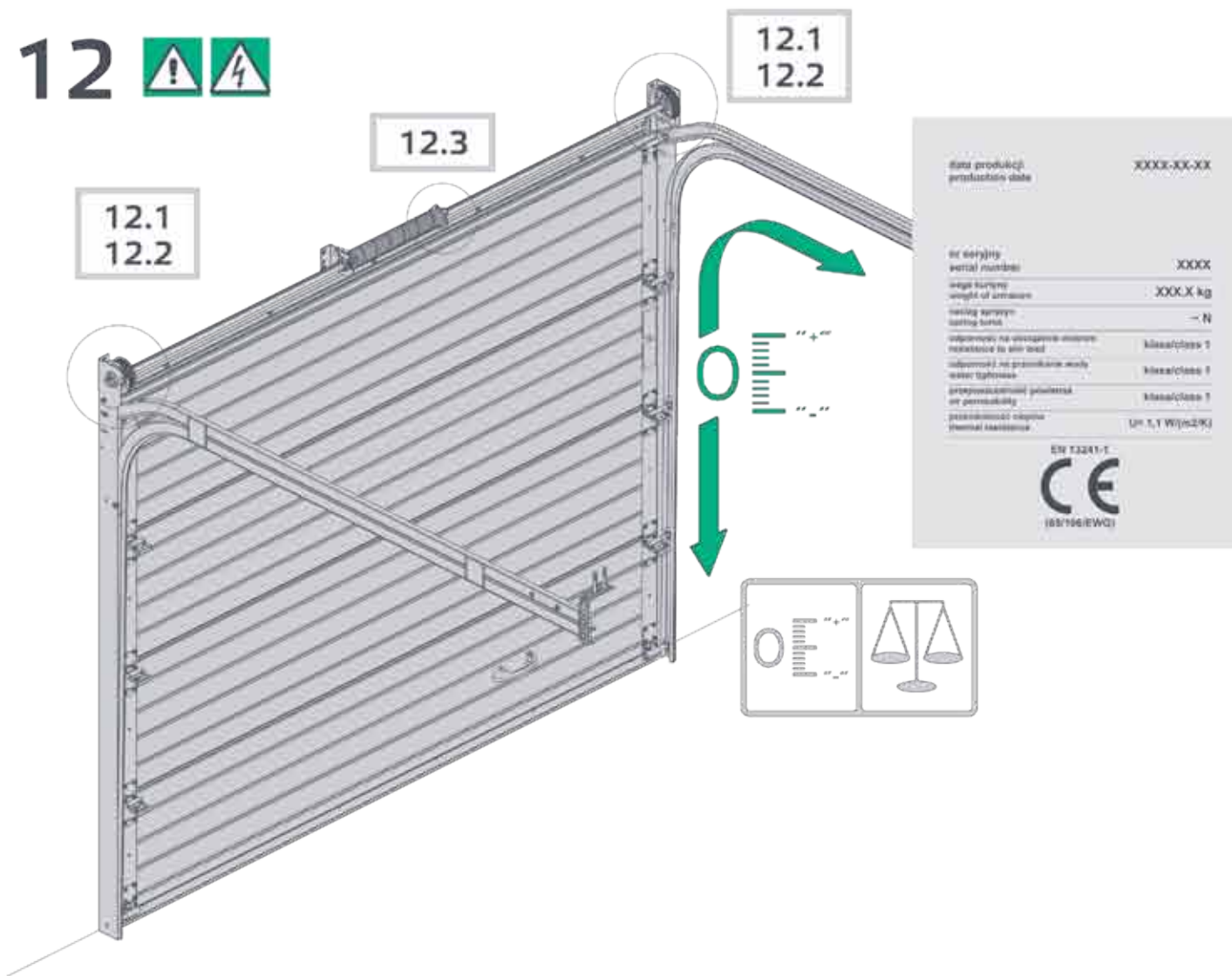
# 10



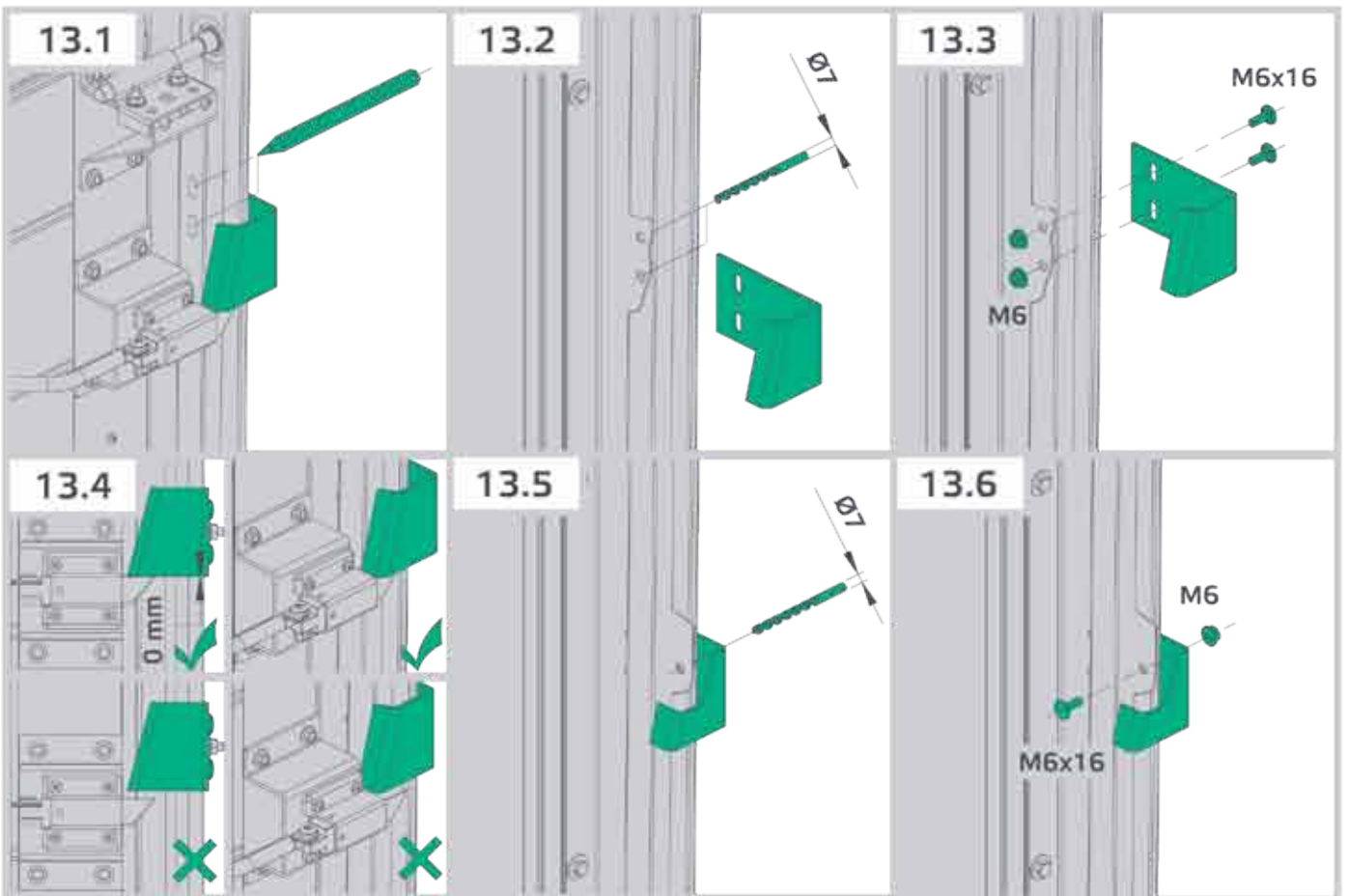
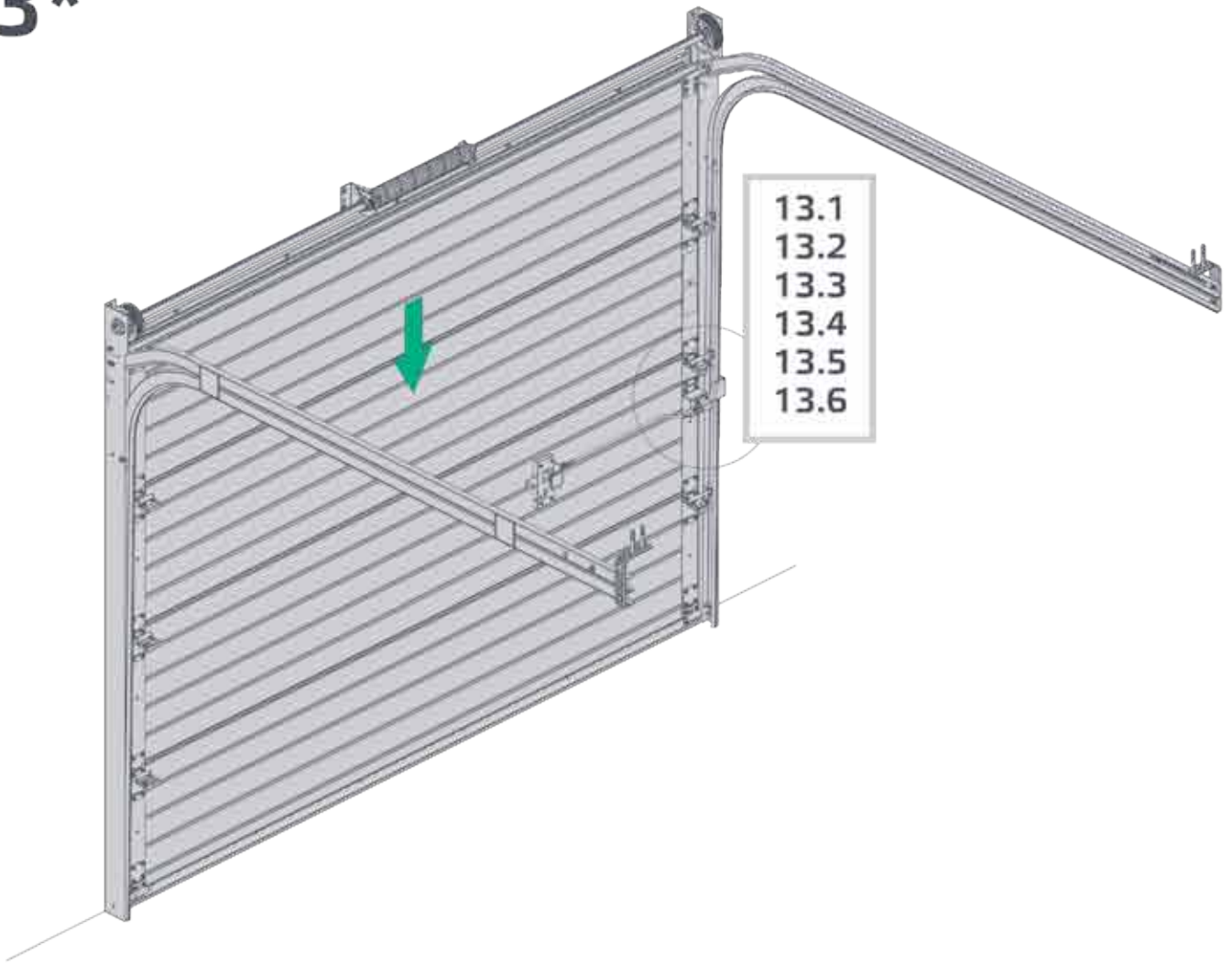
# 11



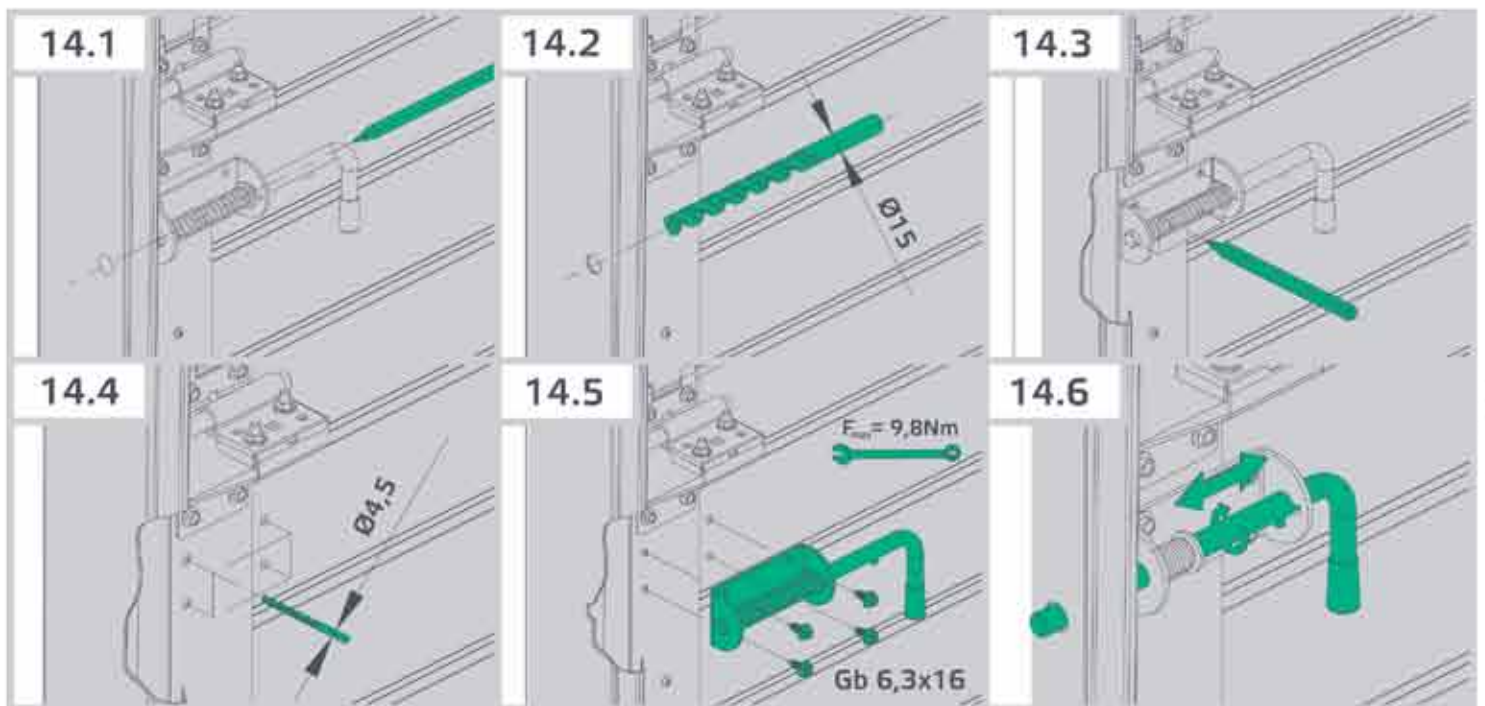
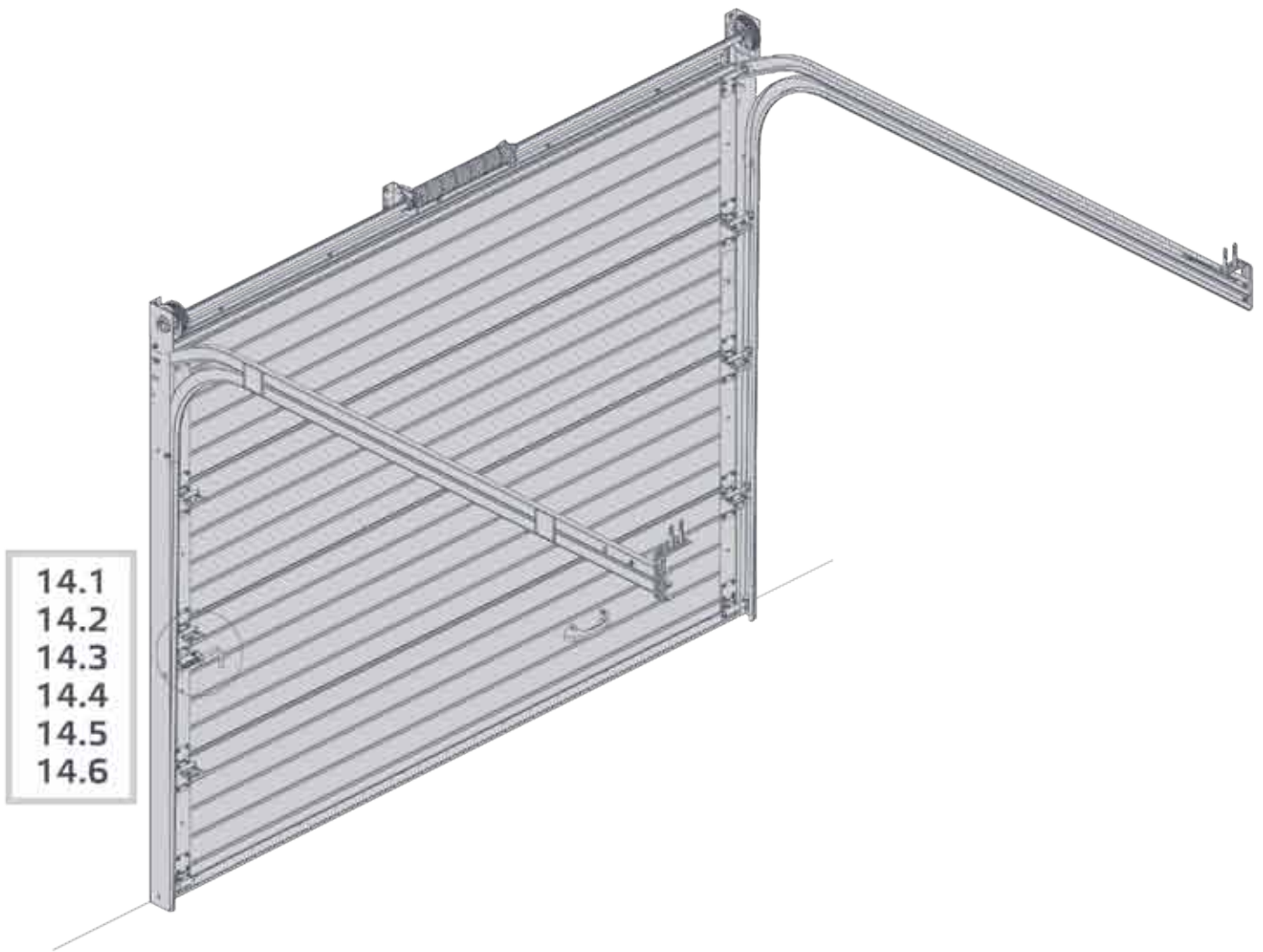
# 12



# 13\*



# 14\*



# 15\*

